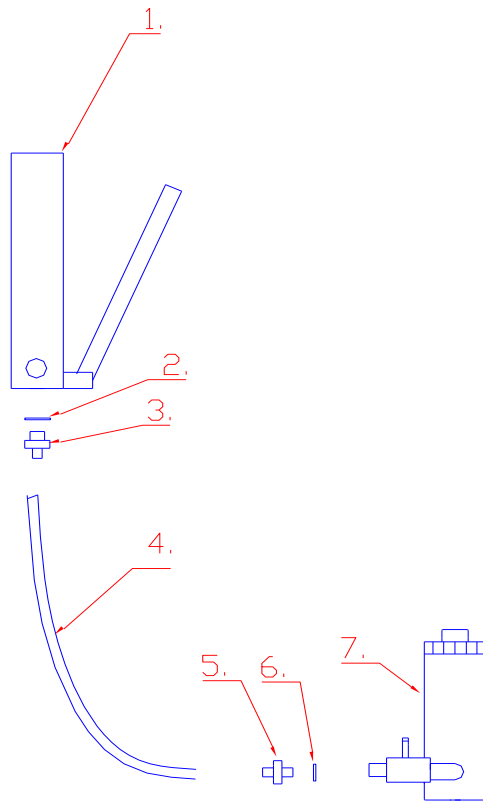


Partspicture Nr 1

Rollers

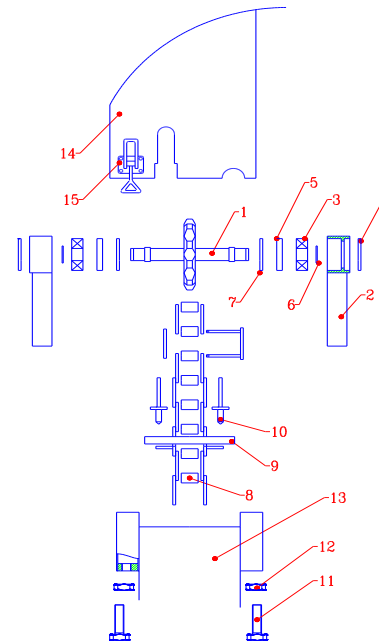
Ref.	Part Nr	Pcs	Description	Size
1	MPVV350.P	1	roller 350S2, spot-fluted (drive), tempered	Ø300x350
1	MPVV700.P	1	roller 700S2, spot-fluted (drive), tempered	
2	MPVK350.P	1	roller 350S2, spot-fluted (adj.), tempered	
2	MPVK700.P	1	roller 700S2, spot-fluted (adj.), tempered	
1.2	MP4842	1	spline shaft (welded)	1 3/8" 6-spline
3	201683	4	bearing 350S2	22215 W33, Ø75/130x31
3	201684	4	bearing 700S2	22218 W33, Ø90/160x40
4	206110500	4	packing 350S2	R80x130x13NBR
	206111785	4	packing 700S2	GV 95x160x13 NBR
6	206110000	4	packing 350S2	R75x110x13 NBR
	206111383	4	packing 700S2	R 90x140x13 NBR
6.1	705537	4	grease nipple	1/8"
6.2	705154	4	extension + 90°	
7	MP11107	2	bar	30x30
8	MP3900	2	pivot shaft	Ø25
9	MP7159	2	locking plate + screw	
10	60W10571680	2	adjusting screw	M16x80 8.8 Zn DIN 933
11	60W031716	2	lock nut	M16 8.8 ZN DIN934
12.1	MP7398	1	cassette framework 350S2	
	MP7378	1	cassette framework 700S2	
12.2	60W105716-40	2	Fixing bolt	M16 x 40 8.8 Zn
12	MP20131	1	Adj. Roller frame 350S2, back side	
13	MP20132	1	Adj. Roller frame 350S2, front side	
12	MP20130	1	Adj. Roller frame 700S2, back side	
13	MP20129	1	Adj. Roller frame 700S2, front side	
14	60W10571225	2	screw	M12x25 8.8
15	60W036812	2	nut	M12
16	MP7477	1	spring 350S2	90x17x465 mm, Ø12 mm hole
	MP7478	1	spring 700S2	90x20x465 mm, Ø12mm fixing hole
17		1	350S2, see partspicture Nr 1b, compensatory parts	
		1	700S2, see partspicture Nr 1b, compensatory parts	
19	251665	1	pulley 350S2 (adj. roller)	SPB 140-2/2012
19.1	251673	1	taper-hub	2012 / 50
	251665	1	pulley 700S2 (adj. roller)	SPB 140-2/2012
	251673	1	taper-hub	2012 / 50
20	251661	1	pulley 350S2 (fixed roller)	SPB 140-3/2012
20.1	251673	1	taper-hub	2012 / 50
	251664	1	pulley 700S2 (fixed roller)	SPB 140-5/2517
	251675	1	taper-hub	2517 / 65
21	MP6942	1	adj. shaft 350S2	Ø35 x 500
	MP6943	1	adj. shaft 700S2	Ø35 x 850
22	MP6936	1	crank	
23	MP8551	1	guideliner	Ø25x45, Ø17mm hole
24	60W031716	2	nut	M16 8.8
25	60W1057820	2	screw	M8x20
26		2	washer	8
27	MP2587	2	plastic wedge	
30	60W10571225	8	screw 350S2 (bearing housing)	M12x25 DIN 933
	60W10571225	12	screw 700S2 (bearing housing)	M12x25 DIN 933
31	60W047510-30	4	guide-pinn	Ø 10 x 30 DIN 1481
38	MP12034	1	bearing housing 350S2 (front side)	Ø130
	MP12033	1	bearing housing 350S2 (back side)	Ø130
	MP10893	1	bearing housing 700S2 (front side)	Ø160
	MP10892	1	bearing housing 700S2 (back side)	Ø160
39	MP8550	1	thread sleeve	Ø25 x 35, M16 kierrereikä



Partspicture No 1 / Part 17
Roller tensioning hydraulics

Ref.	Part No	Pcs	Description	Size
	MP7981		700 S2/HD complete system	
	MP20030		350 S2 complete system	
1	509706	1	700 Hydraulic hand pump P19-120bar-1740psi	P19-120bar-1740psi
	509723	1	350 Hydraulic hand pump P19-90bar-1740psi	P19-90bar-1740psi
2	504063	1	Sealing R 3/8"	R3/8
3	5011854	1	Double nipple 1/4-3/8"	
4	507983	1	Hydraulic tube 350S2/700S2, flexible (680mm)	1/4"
5	506149	2	Double nipple 1/4-1/4"	
6	507982	2	Sealing R1/4"	R1/4"
7	509720	2	Hydraulic cylinder	Ø60/63x89

PARTSPICTURE 2

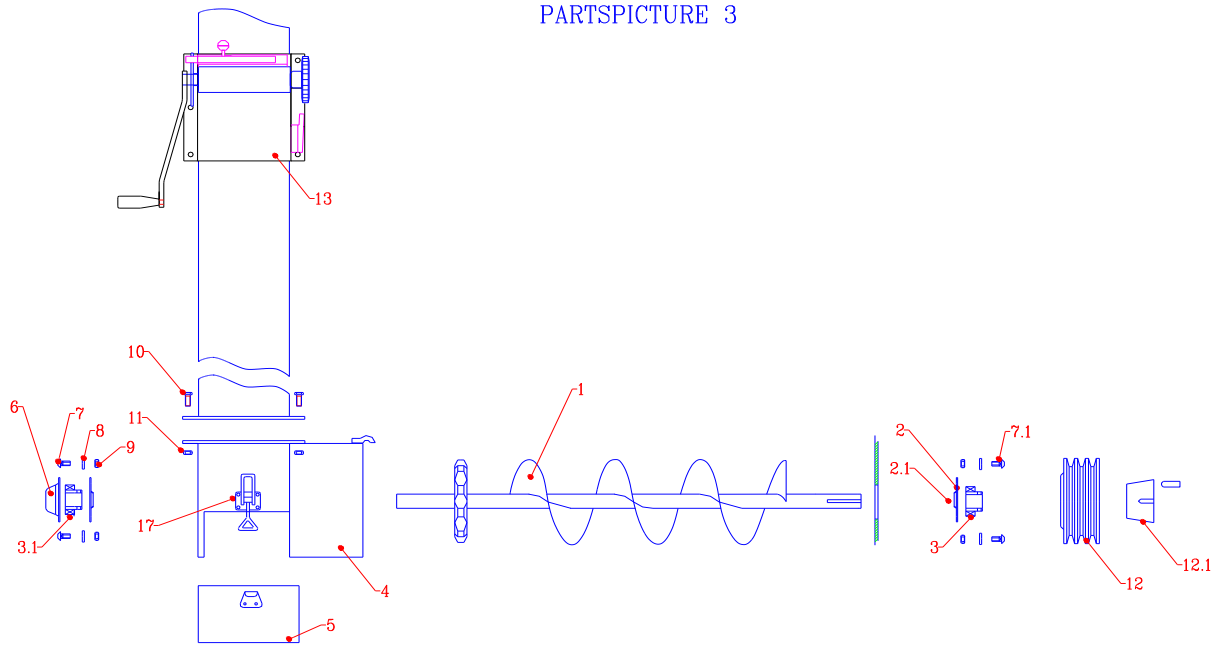


Reservdelsbild nr 2
Spännskiva

Partspicture No 2
Tightening pulley

Ref.	Part No	Pcs	Description	Size
1	MP7393	1	chain tensioner sprocket	z=7
2	MP5359	2	bearing housing	
3	201703	2	bearing	22205CW33, Ø 25/52x18
4	205030	2	Seal Ø 52 mm, plastic	Ø52
5	204527	2	Seal Ø 52 / 28 mm, plastic	for 22205CW33
6	601705	2	Circlip A25	Ø25 x 1.2 DIN 471
7	601710	2	circlip	Ø52 x 2 DIN 472
8	MP2560	6,6m	chain 350S2/700S2, complete	S55
	25590570	1	connection link S55	S55
9	MP2531	39	rubber pad	10x50x130
10	702426	78	rivet	6.4 x 30
11	60W10571680	2	screw	M 16x80
12	60W031716	2	nut	M 16
13	MP2558	1	Elevator tube 3m	150x200
	1101282	1	Elevator tube 1,5m, bottom half	
	1101283	1	Elevator tube 1,5m, top half	
14	MP2559	1	hat	
15	702579	2	lock + lock hook	Ojob 703 RLA
1-7	MP10950	1	tensioning sprocket unit	complete
-				
	MP4850	1	Elevator complete 350S2/700S2	3m (S55 chain)

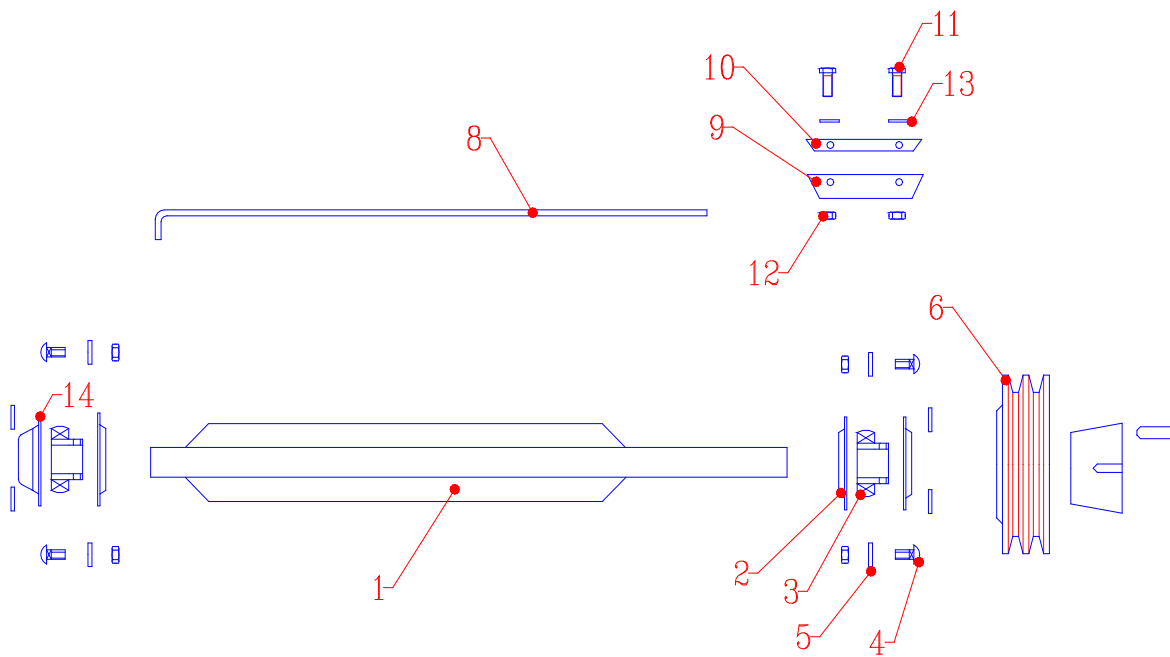
PARTSPICTURE 3



Partspicture No 3
Feeder auger

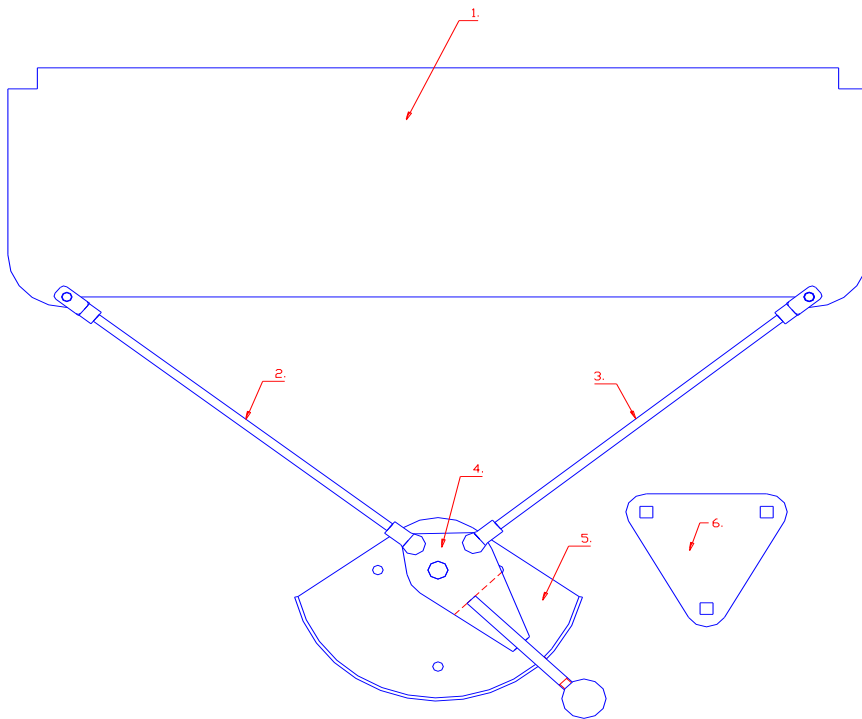
Ref.	Part No	Pcs	Description	Size
1	MP2496	1	screw conveyor 350S2	Ø25/150
	MP5151	1	screw conveyor 700S2	Ø35/150
2	204044	2	sealing 350S2	GA 25.35.7/10
	204047	2	sealing 700S2	GA 35.45.7/10
2.1	AKK-1983	2	seal plate	2-hole
	AKK-1982	2	seal plate	2-hole
3	203992	2	bearing 350S2	UCFL 205, Ø25/52x22
	203991	2	bearing 700S2	UCFL 207, Ø35/72x28
4	MP2500	1	auger end plate 350S2	
	MP3201	1	auger end plate 700S2	
5	MP4529	1	bottom cover	
6	MP4252	1	guard	
7		4	lock screw 350S2	
	60W12231240	4	lock screw 700S2	M12x40 DIN 603
8		4	washer 350S2	8
		4	washer 700S2	Ø10 DIN 125
9		6	nut 350S2	M 8
		6	nut 700S2	M10 Nyloc
10	60W1057825	8	screw	M 8x25
11	60W03178	8	nut	M 8
12	251663	1	pulley 350S2	SPB 140-1/1610
12.1	251674	1	taper-hub	1610 / 25
	251665	1	pulley 700S2	SPB 140-2/2012
	251676	1	taper-hub	2012 / 35
13	MP7466	1	elevator adjustment crank	
	MP7387	1	elevator bow	
17	702579	1	lock + hook	Ojob 703 RLA
18		2	safety bolt	

PARTSPICTURE 4



Partspicture No 4
Feeder

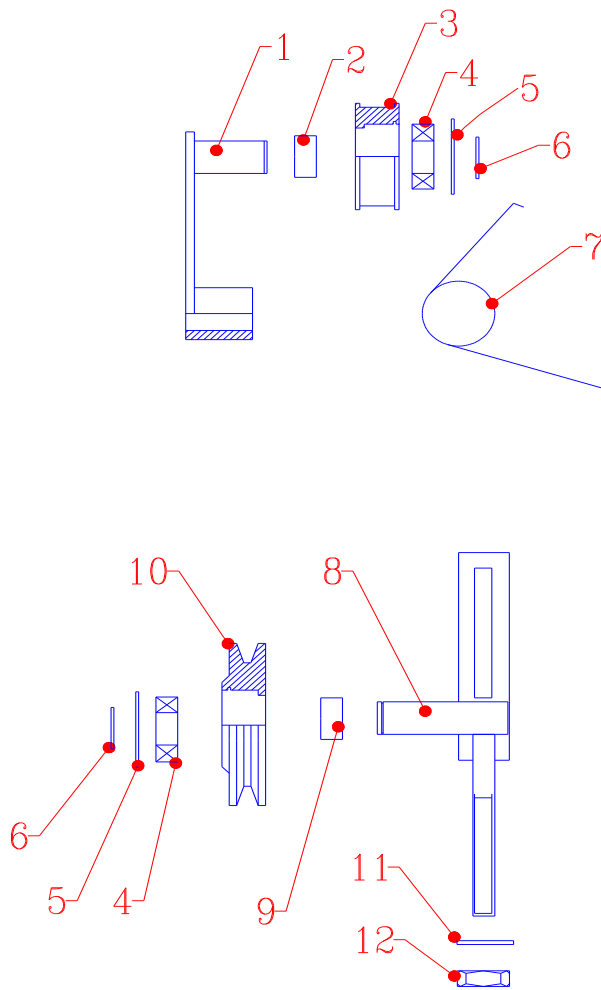
Ref.	Part No	Pcs	Description	Size
1	MP2555	1	shaft 350S2	Ø25
	MP2593	1	shaft 700S2	Ø25
2	MP4044	2	sealing	GA 25.35.7/10
3	MP3992	2	bearing	UCFL 205, Ø25/52x22
4		4	screw	M8x20
5		4	washer	8
6	251663	1	pulley 350S2	SPB 140-1/ 1610
6.1	251674		taper-hub	1610 / 25
	251665	1	pulley 700S2	SPB 140-2/ 2012
	251677		taper-hub	2012 / 25
8	MP5517	1	cut-off plate 350S2	2x160x503
	MP5518	1	cut-off plate 700S2	2x160x833
9		1	packing	3
10		1	supportplate	1.5
11		2	screw	M6x16
12		2	nut	M6 nyloc
13		2	washer	6
14	MP5152	1	guard	



Partspicture Nr 5
Feed controller

Ref.	Part Nr	Pcs	Description	Size
1	MP7559	1	Feeder-door 350S2	
	MP7738	1	Feeder-door 700S2	
2	MP9306	1	Adjusting rod 330	
3	MP9307	1	Adjusting rod 340	
4	MP9477	1	Handle	
5	MP9476	1	Feed controller frame	
6	MP9299	1	Backing plate	

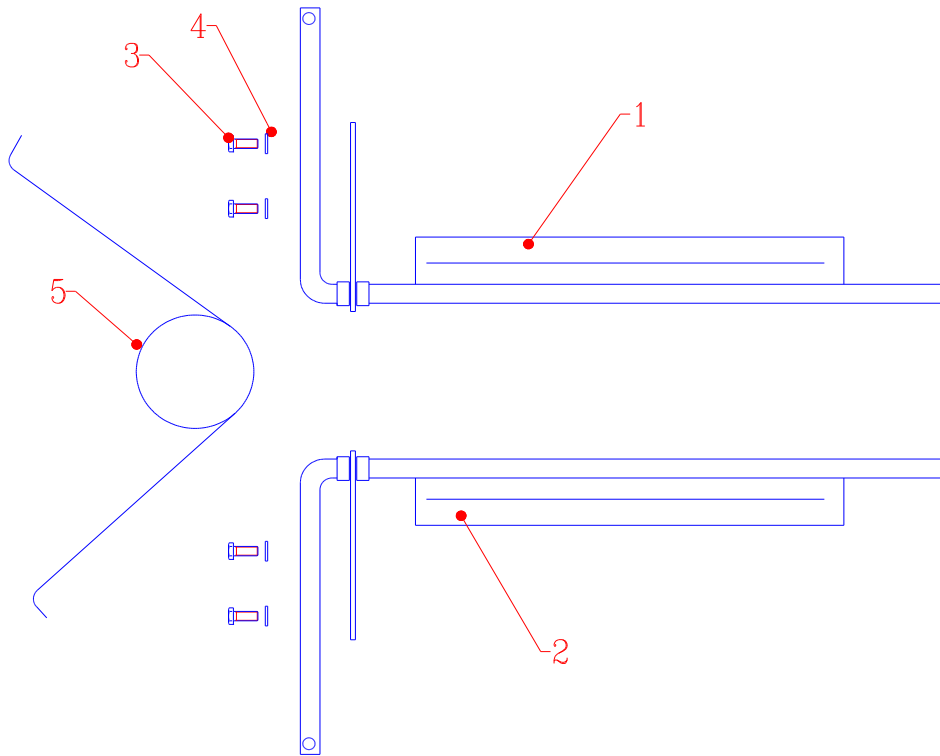
PARTSPICTURE 6



Partspicture No 6
Beltclamp

Ref.	Part No	Pcs	Description	Size
1	MP5593	1	frame 350S2	
	MP5594	1	frame 700S2	
2	MP5595	1	bush	Ø28
3	251648	1	pulley 350S2 (alum.)	SPB 83-1 / 25
	251651	1	pulley 700S2 (alum.)	SPB 72-2 / 25
4	201691	1	bearing	6205 2RS, Ø25/52x15
	201691	2	bearing	6205 2RS, Ø25/52x15
5	601710	2	circlip	Ø52 x 2 DIN 472
6	603987	2	circlip	Ø25 x 1,2 DIN 471
7	MP7978	1	spring 350S2	Ø4
	MP11102	1	spring 700S2	Ø5
8	MP5597	1	frame 350S2	
	MP5598	1	frame 700S2	
9	MP5595	1	bush	Ø28
10	251647	1	pulley 350S2	SPB 125-1 / 25
	251647	2	pulley 700S2	SPB 125-1 / 25
11		1	washer	Ø16
12		1	nut	M 16
1 - 7	MP5369	1	350S2 Bottom auger belt tensioner, complete	
1 - 7	MP7737	1	700S2 Bottom auger belt tensioner, complete	
8 - 12	MP5800	1	350S2 drive belt tensioner, complete	
8 - 12		1	700S2 drive belt tensioner, complete	

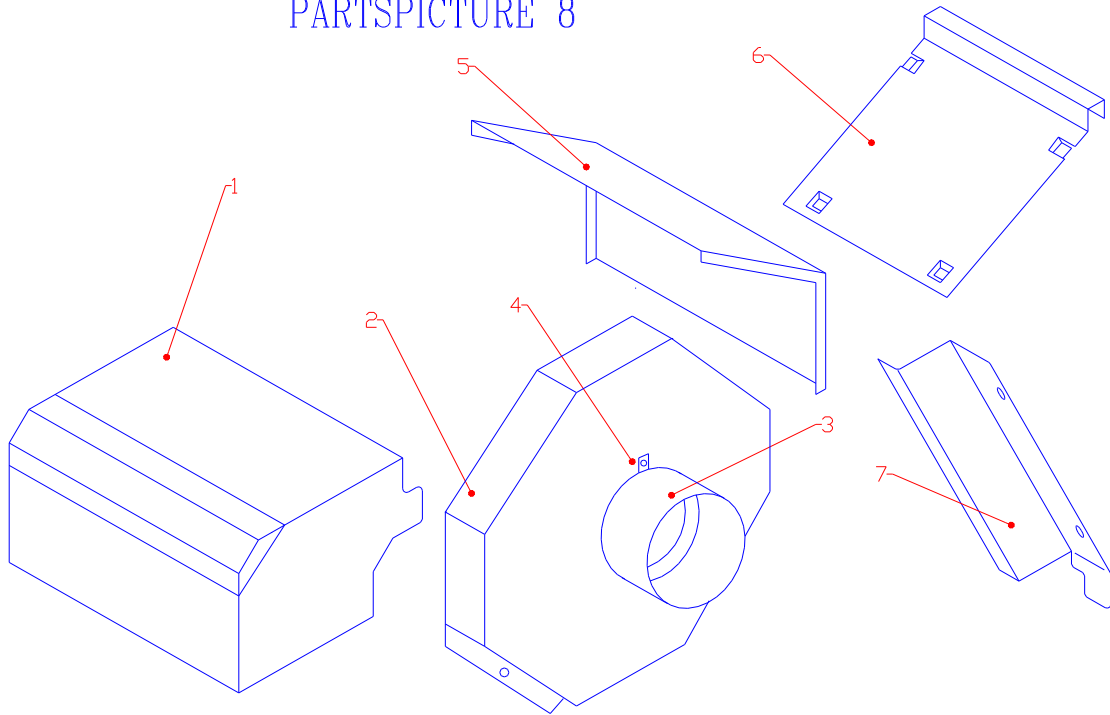
PARTS PICTURE 7



Partspicture No 7
Scrapers

Ref.	Part No	Pcs	Description	Size
1	MP2556F	1	scraper knife 350S2 (fixed roller)	Ø16
	MP2594F	1	scraper knife 700S2 (fixed roller)	Ø16
2	MP2556A	1	scraper knife 350S2 (adj. roller)	Ø16
	MP2594A	1	scraper knife 700S2 (adj. roller)	Ø16
3		4	screw	M8x16
4		4	washer	8
5	MP2479	1	spring 350S2	Ø4
	MP6331	1	spring 700S2	Ø5

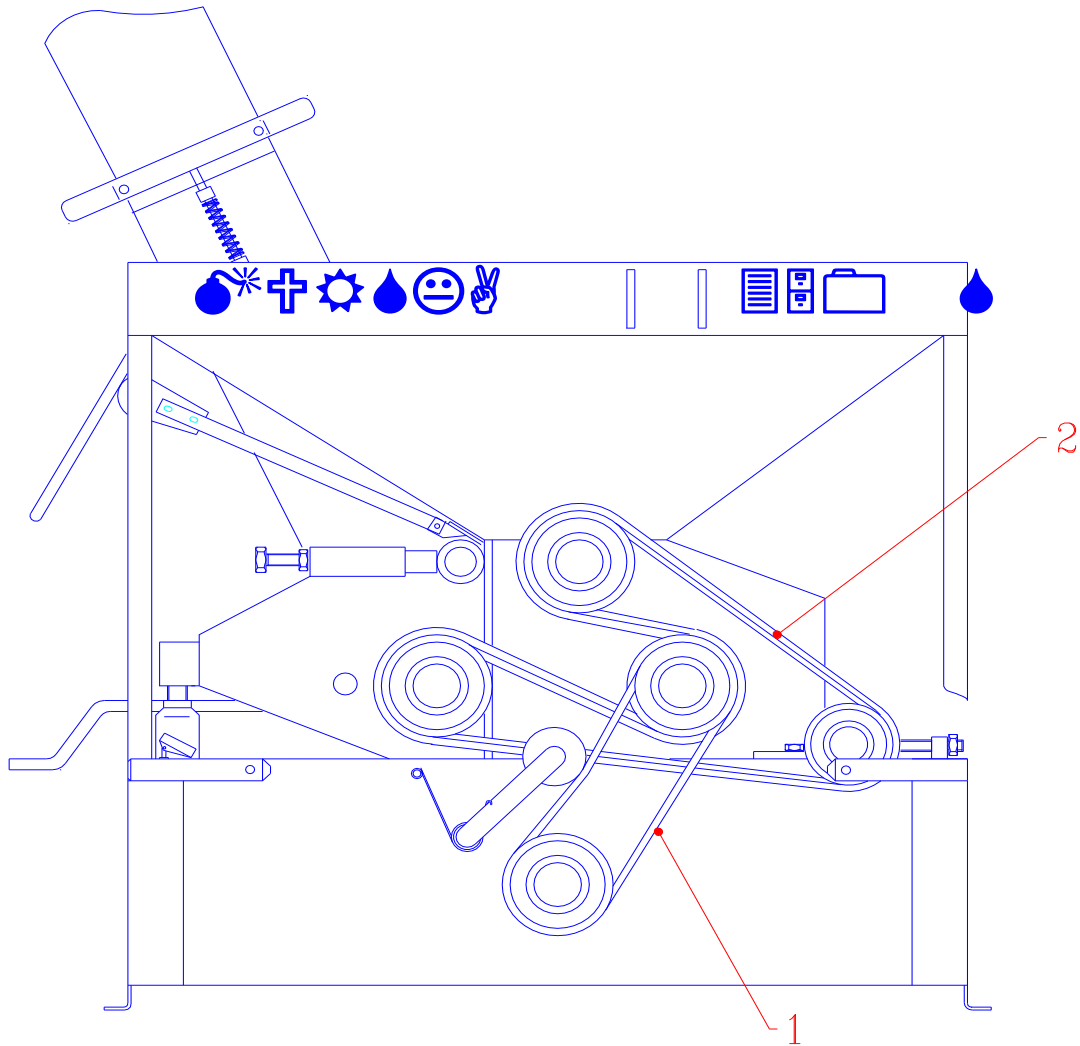
PARTSPICTURE 8



Partspicture No 8 Guards

Ref.	Part No	Pcs	Description	Size
1	MP4697	1	rollerguard 350S2 (adj. roller)	1.5
	MP3894	1	rollerguard 700S2 (adj. roller)	1.5
2	MP4698	1	beltguard 350S2	1.5
	MP7524	1	beltguard 700S2	1.5
3	MP11158	1	PTO guard	1.5
4		1	screw	M8x20
5	MP4699	1	rollerguard 350S2 (fixed roller)	1.5
	MP3898	1	rollerguard 700S2 (fixed roller)	1.5
6	MP12006	1	bottom door 350S2	1.5
	MP3899	1	bottom door 700S2	1.5
7	MP5583	1	inspection door	1.5
		1	inspection door	1.5
		1	Beltguard for Electrical Drive	

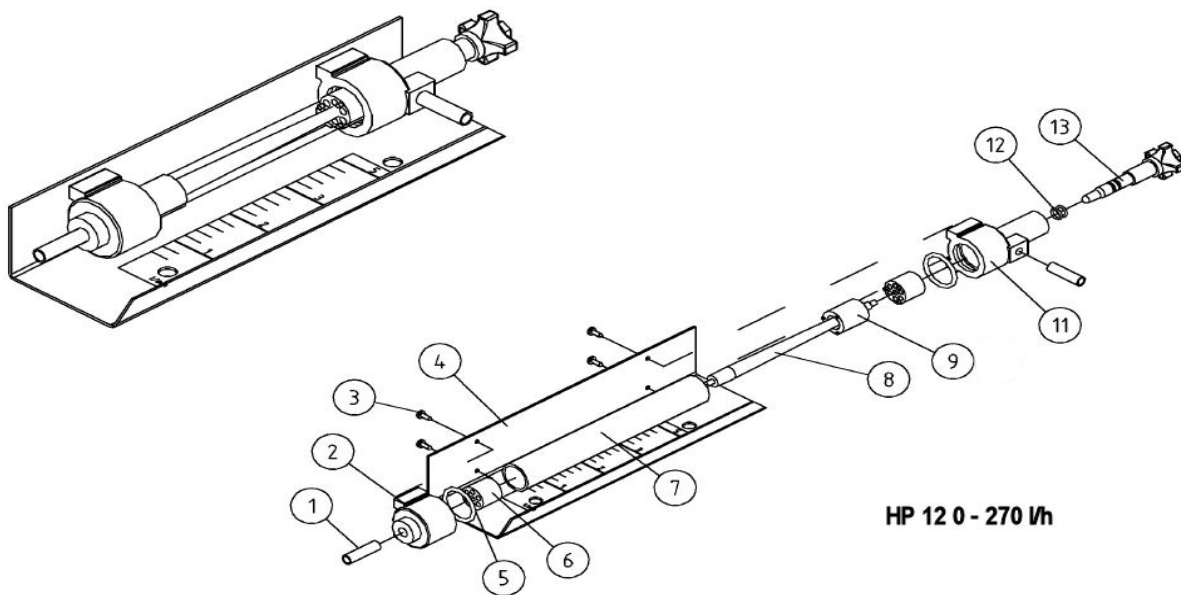
PARTSPICTURE 9



Partspicture No 9

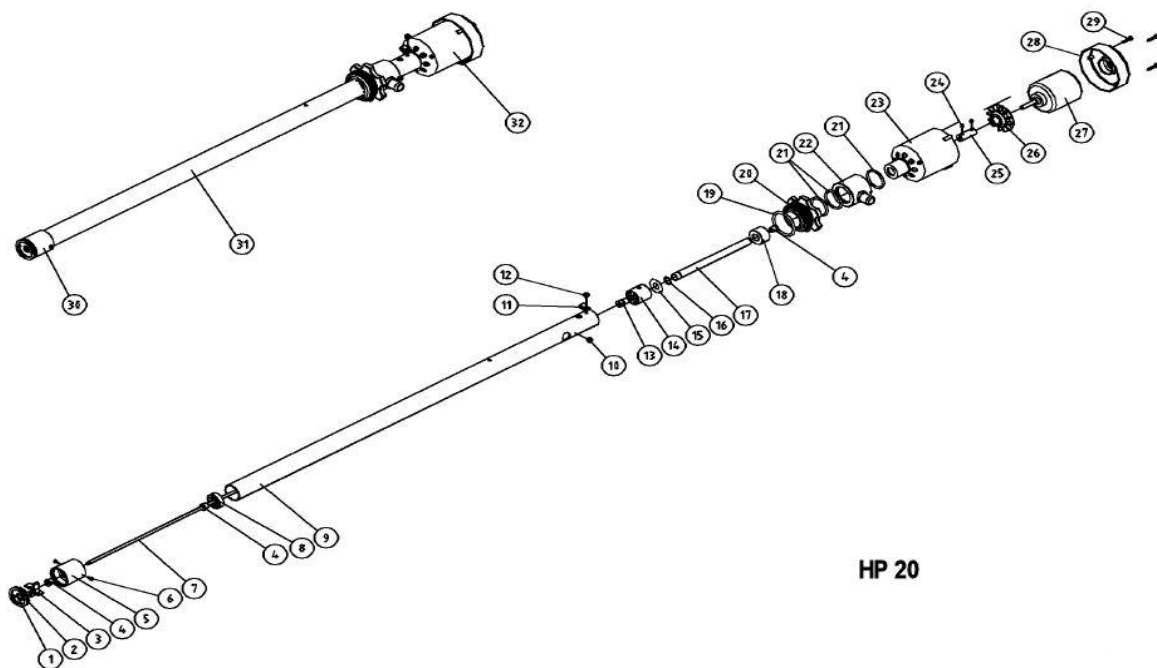
V-belts

Ref.	Part No	Pcs	Description	Size
1	251729	1	v-belt 350S2 (screw conveyor)	Hi-Power MN B39 1040
	251725	2	v-belt 700S2 (screw conveyor)	Hi-Power MN B41 1095
2	251731	1	v-belt 350S2 (drive)	BB 85
	251731	2	v-belt 700S2 (drive)	BB 85
	251740	4	350S2 v- belt, electrical drive	SPA 1800
	254064	5	700S2 v- belt, electrical drive	XPB 2360 Quad Power II



Partspicture No 10
Flowmeter

Ref.	Part Nr	Pcs	Description	Size
	323460		Flowmeter HP12	0 - 270 l / min
1	303200	2	Threaded pipe	
2	303180	1	Lower housing	
3	133040	4	Screw	DIN 7981C2,9X9,5A2 PZ
4	303260	1	Fasteningbracket	
5	303190	1	O-Ring	
6	303230	2	Support	
7	303240	1	Glasspipe	
8	303270	1	Cone	
9	303280	1	Float, white	
11	303300	1	Upper housing	
12	303310	2	O-Ring	Ø11x3 NBR 70
13	303320	1	Adjustmentscrew	



HP 20

Partspicture No 11
Pump

Ref.	Part Nr	Pcs	Description	Size
	320002		Pump HP20	
1	133121	2	Screw	DIN 7983 2,9X9,5 A4 POZ
2	320090	1	Endplate	
3	303471	1	Propeller	Ø 6mm
4	303171	3	Bearing	
5	320080	1	Pumphousing	
6	133120	1	Screw	DIN 7981 C 2,9X9,5 A4 POZ
7	303142	2	Axel	L=980 mm
8	320070	1	Bearngsupport	
9	320060	1	Pipe	
10	133124	1	Screw	DIN 7981 C 2,9X13 A4 POZ
11	303110	1		
12	133130	1	Screw	DIN 7981 C 4,8X9,5 A4 POZ
13	303173	1	Bearing	
14	320050	1	Pressurehousing	
15	320055	1	Membrane	
16	144980	1	O-Ring	Ø16x2
17	320040	1	Pressurepipe	
18	320010	1	Housing	
19	144976	1	O-Ring	NBR70 Ø53x5
20	320030	1	Nut	
21	144985	3	O-Ring	Ø40x4
22	320020	1	Ring	
23	303080	1	Cover	
24	132500	2	Socket set screw	DIN 913 45H M6X6
25	303071	1	Case	6mm/8mm
26	303050	1	Fan	
27	303040	1	Motor	
28	303030	1	Cap	
29	303010	3	Screw	
30	320085	1	Pumphousing	
31	113200	1	Lower pump	
32	303055	1	Motor, compl.	
	303045	1	Powercable	

